

Multi Level Switches Type UNS-2000

Vertical Adjustments -VV

The UNS-2000 Level Switches can be supplied with a vertical adjustment.

By unscrewing the sleeve (Hex 24) nut, only one turn, the whole stem with all floats and contacts can be moved up or down, at any time after installation, within the LX dimension.

The maximum pressure for the -VV version is 5 bar regardless when the float would allow a higher pressure.

This -VV option can only be supplied with Flanges (-FL) or Plug (-T). The LX dimension must be specified with the other dimensions L1 etc. upon ordering.

Slosh Tube -DR

Slosh or stilling chamber tubes are useful to:

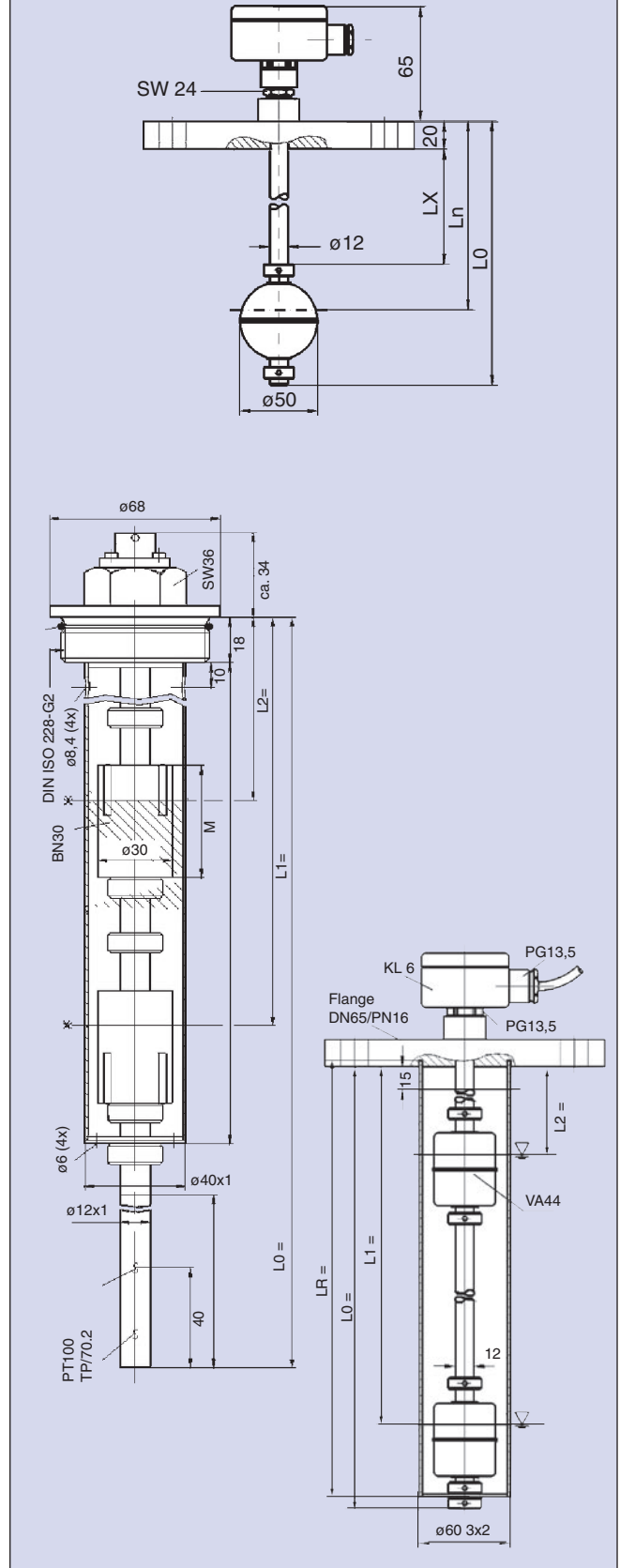
- protect the floats against other floating objects,
- protect the unit against rough handling,
- dampen oscillating fluid and float movements.

Depending on the float size, various tube sizes between 40 mm and 60 mm in stainless steel and brass are available. In most cases the Slosh tube covers the whole unit from mounting plug or flange to the end of the stem.

A groove in the mounting plug or flange resp. a guide pulley will centre the top of the tube, an end cap or disc resp. guide pulley with internal hexagon screws will hold the bottom of the tube. Depending on the length of the tube spacer(s) along the stem will centre the stem within the tube to ensure unobstructed float movements.

Holes in the top of the tube are sized according to the application to optimise the dampening effect. Various tube materials can accommodate almost any application.

Abmessungen (in mm), VV - Vertikalverstellung



12 / 04 UNS US 04/1

Barksdale Level Switches

Specifications are subject to changes without notice.